



GLOBEFAN TECHNOLOGY CO.,LTD.

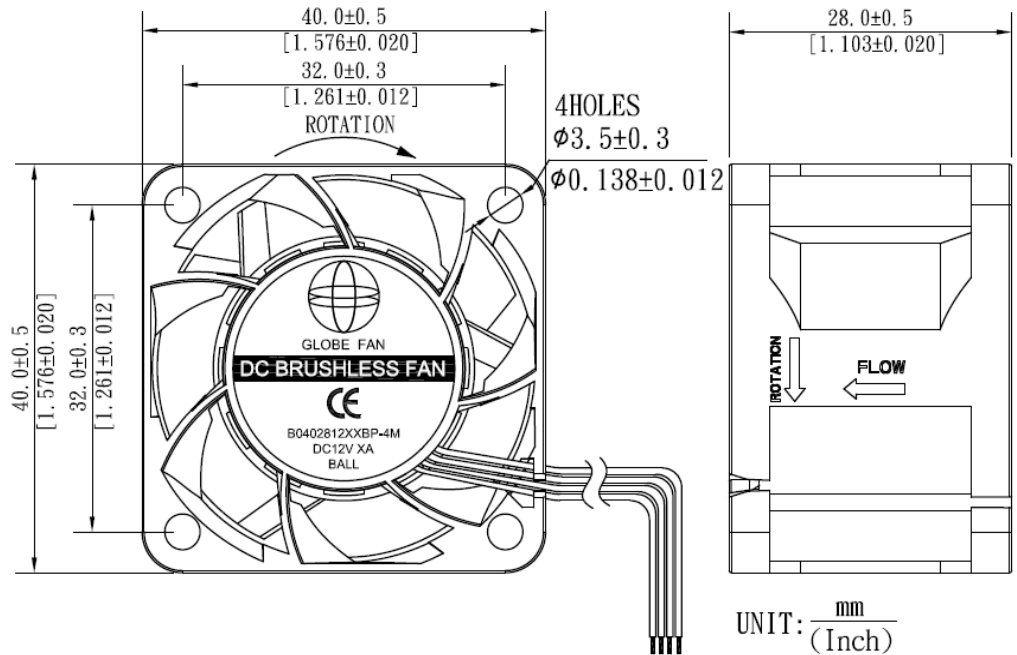
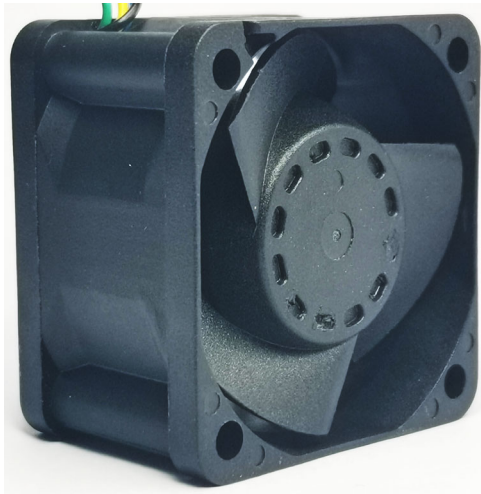
No. 28, 3 Lane Zhongxinjin Road, Jin Industry District Shoei Koo Village,

Da Laang Town, Dungguan City, Guangdong Province, China

Tel : +86 769 83182898~9

Fax : +86 769 83182897

◆ DIMENSIONS DRAWING



* Rohs Compliant

* Bearing Type

- 2 Ball bearing

* Electrical Function

- PWM (Pulse Width Modulation)

- FG or RD Output Signal

* Material

Impeller: Plastic (PBT UL 94V-0)

Frame : Plastic (PBT UL 94V-0)

* Lead wires

UL 1061 AWG#26 or Equivalent

Yellow Wire Positive (+)

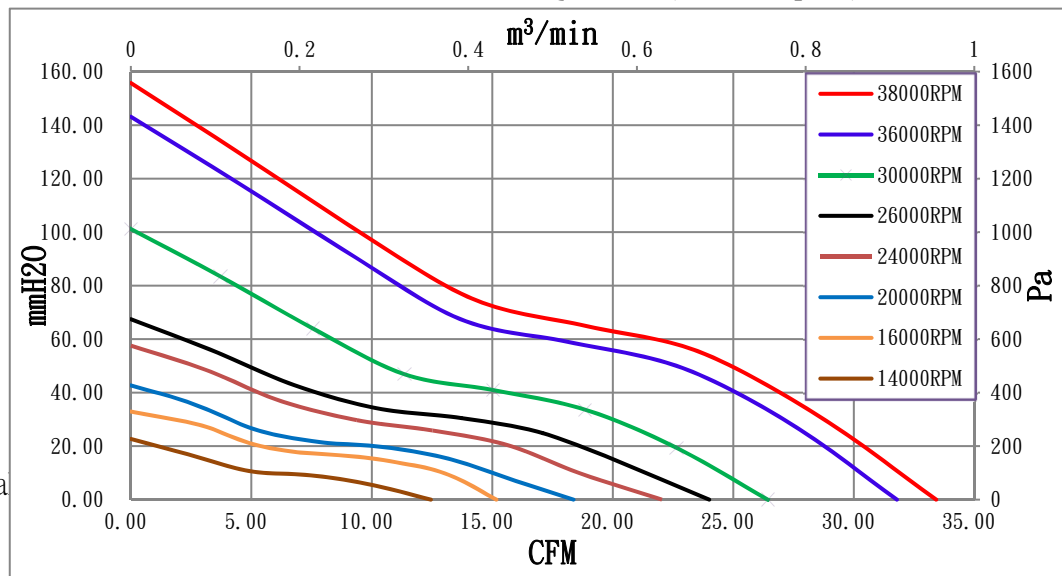
Black Wire Negative (-)

Green Wire FG or RD Output Signal

Blue Wire PWM

* Weight : 47g (1.66 oz)

◆ 40x40x28mm DC Axial Fan P/Q Curves (At rated speed)



MODEL	Operating Voltage Range	Rated Voltage	Rated Current	Rated Input Power	Speed	Maximum Air Flow		Maximum Air Pressure		Noise 1M
Part No.	VDC	VDC	Amp	Watts	R.P.M	m^3/min	CFM	mmH_2O	InH_2O	dB(A)
B0402812LBP-4M	6V ~ 13.8V	12	0.45	5.4	14000±10%	0.35	12.45	22.69	0.89	42.1
B0402812MBP-4M	6V ~ 13.8V	12	0.55	6.6	16000±10%	0.43	15.17	32.93	1.30	45.3
B0402812HBP-4M	6V ~ 13.8V	12	0.65	7.8	20000±10%	0.52	18.37	42.71	1.68	49.5
B0402812HHBP-4M	6V ~ 13.8V	12	0.75	9.0	24000±10%	0.62	22.04	57.57	2.27	56.6
B0402812FHBP-4M	6V ~ 13.8V	12	0.95	11.4	26000±10%	0.68	24.00	67.46	2.66	58.4
B0402812EHBP-4M	6V ~ 13.8V	12	1.15	13.8	30000±10%	0.75	26.43	101.18	3.98	59.9
B0402812VHBP-4M	6V ~ 12.8V	12	1.50	18.0	36000±10%	0.90	31.79	143.16	5.64	63.9
B0402812GHBP-4M	6V ~ 12.8V	12	2.20	26.4	38000±10%	0.95	33.42	155.77	6.13	65.0

* Function type is optional.

* The max. air flow and speed are measured in free air; max. air pressure is measured at close to zero air flow.

* Noise is measured in anechoic chamber in free air, one meter from intake side.

* All readings are typical values at rated voltage.

* Specifications are subject to change without notice.